

MPIV BAS CR

PIVOT Tap Range Metallix Pivot Basin Mixer Copper Radiance



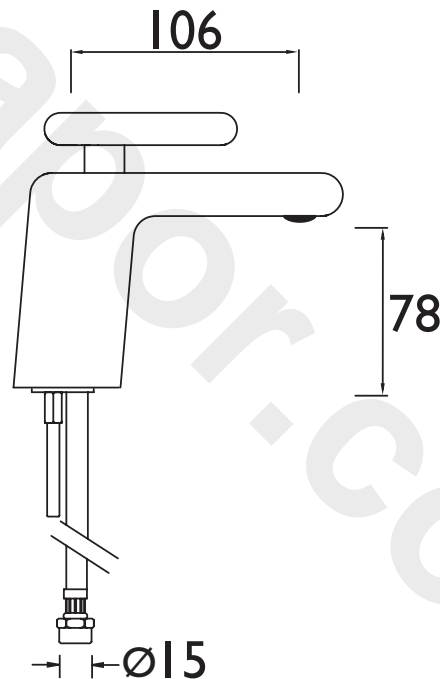
Features:

- Clicker waste
- Metal handle
- 35mm cartridge

Specification

Style:	Contemporary
Product Type:	Bathroom Taps
Finish/Colour:	Chrome/Copper Radiance
Main Construction Material:	Brass
Mount Type:	Deck Mounted
Handle Type:	Single Lever
Connection Inlet:	M10 x 15mm Compression Flexi Tails
Connection Outlet:	N/A
Number of Tap Holes:	1
Valve/Cartridge Type:	35mm Ceramic Cartridge
Plumbing System Requirements:	Suitable for all plumbing systems
Working Pressure Range:	Min. 0.2 bar, Max. 5.0 bar
Maximum Hot Water Temperature: °C	65
Maximum Dynamic Pressure: (bar)	5
Maximum Static Pressure: (bar)	10
Flow Type:	Single
Flow Rate: (l/min @ 3 bar)	20.7

Dimensions (measurements in mm)



For more products, visit our website:
<http://www.bristan.com>



Flow Rates (l/min)

System Pressure (bar)	0.2	0.5	1	2	3	5
MPIV BAS CR	4.7	7.8	11.7	16.7	20.7	26.7

TECHNICAL
DATA
SHEET



BRISTAN
TAPS & SHOWERS

D1